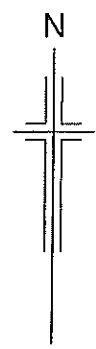
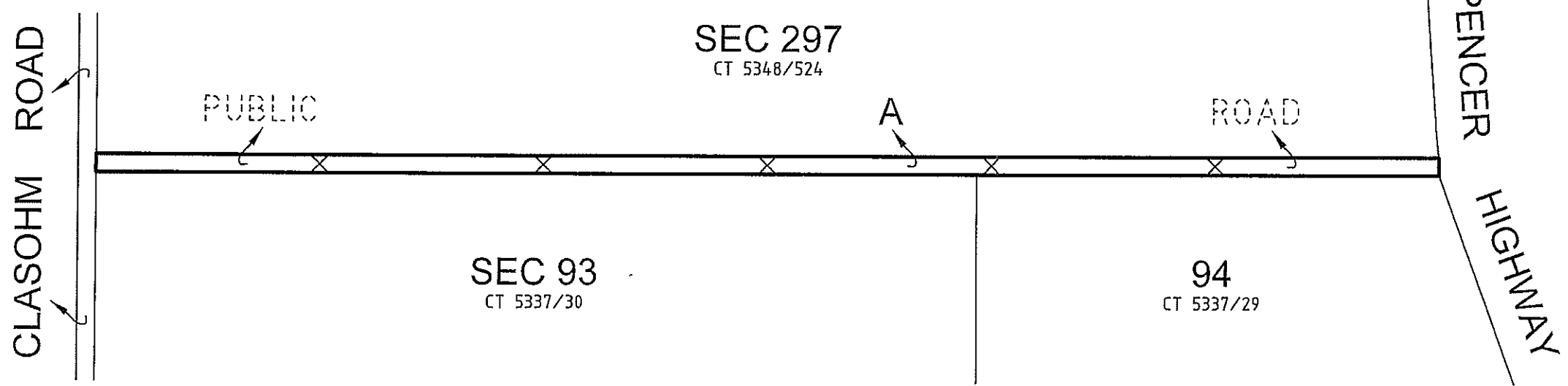


**PRELIMINARY PLAN**

PRELIMINARY PLAN No 16 / 0048



MAP REF: 6428-32-F, G, K & L      DEV. No.  
 TITLE SYSTEM:  
 TITLE REFERENCE FOR ROAD: CT  
 IRRIGATION AREA .....  
 HUNDRED: MAITLAND  
 AREA: MAITLAND  
 COUNCIL: YORKE PENINSULA COUNCIL



PLAN UNDER THE ROADS (OPENING & CLOSING) ACT, 1991  
 ROAD TO BE CLOSED LETTERED A

STATEMENTS CONCERNING EASEMENTS  
 ANNOTATIONS AND AMENDMENTS

PROPOSAL CERTIFIED CORRECT AS TO INTENT:  
 DATED: 10/11/16 *M. Newbold*  
 AUTHORIZED OFFICER

I HEREBY CERTIFY THAT THE PORTION OF ROAD TO  
 BE CLOSED LETTERED 'A' HERON IS PUBLIC ROAD  
 WITHIN THE MEANING OF SECTION 3 OF THE ROADS  
 (OPENING & CLOSING) ACT, 1991

AUTHORITY:  
*D. E. Pyper*  
 DAVID E PYPER  
 LICENCED SURVEYOR  
 DATE: 4/11/2016      REF: PL7782

**PyperLeaker**  
 surveying services  
 p 08 8373 3880  
 a 65 Goodwood Road  
 Wayville SA 5034  
 e info@pyperleaker.com.au

